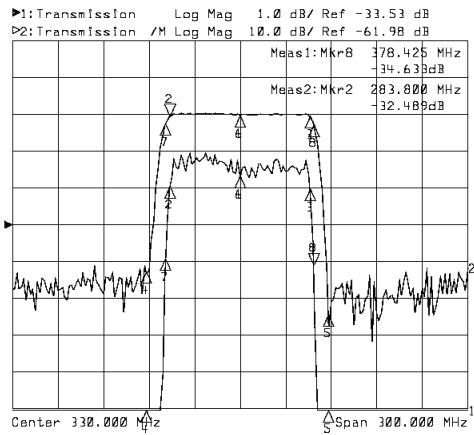


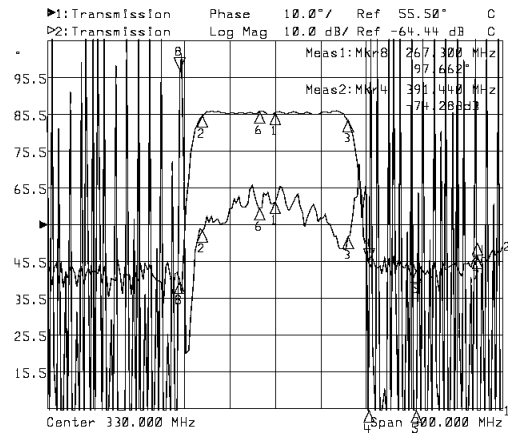
330MHz Standard Filter

Part Number 330960

Typical Performance



Horizontal: 30MHz/Div
Vertical: 10dB/Div & 10dB/Div

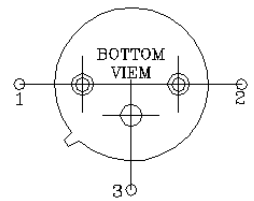
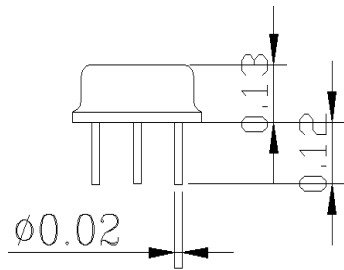
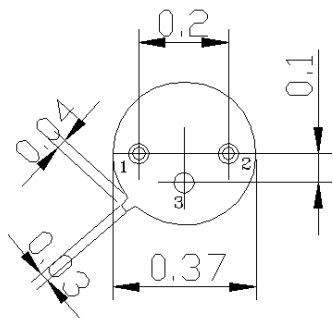


Horizontal: 30MHz/Div
Vertical: 10° /Div & 10dB/Div

Specifications

Parameter	Unit	Minimum	Typical	Maximum
Center Frequency	MHz	329.80	330.00	330.20
Insertion Loss at F ₀	dB		35.00	35.82
1 dB Bandwidth	MHz	94.21	95.00	
3 dB Bandwidth	MHz	95.12	96.00	
40dB Bandwidth	MHz		110.00	110.84
Passband Variation	dB		0.80	1.00
Group Delay Variation	nsec		18	20
Ultimate Rejection	dB	48	50	
Substrate Material	-		128LiNbO3	
Ambient Temperature	°C	-40	25	80

Package



TO-39 IN: 1
OUT: 2
GNP: 3