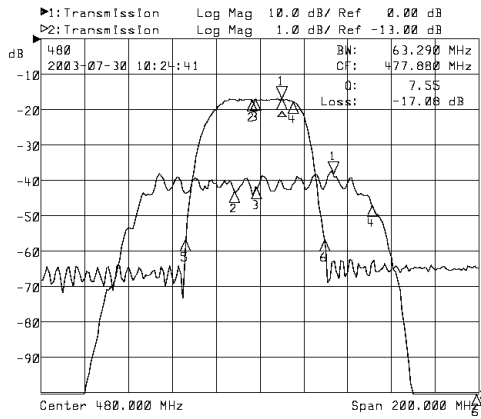


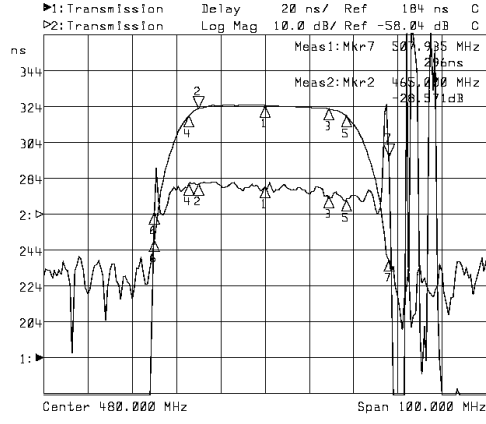
# 480MHz Standard Filter

## Part Number 480370

### Typical Performance



Horizontal: 20MHz/Div  
Vertical: 10dB/Div & 1dB/Div

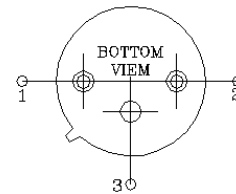
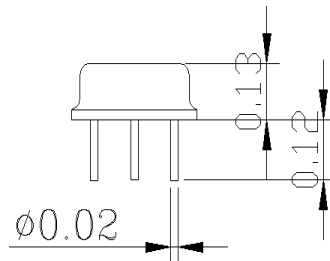
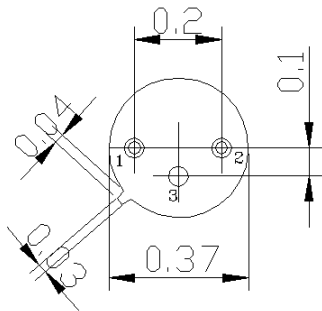


Horizontal: 10MHz/Div  
Vertical: 20ns/Div & 10dB/Div

### Specifications

Parameter	Unit	Minimum	Typical	Maximum
Center Frequency	MHz	479.50	480.00	480.50
Insertion Loss at $F_0$	dB		18.00	19.20
1 dB Bandwidth	MHz	31.52	32.04	
3 dB Bandwidth	MHz	38.23	38.80	
40dB Bandwidth	MHz		63.30	63.96
Passband Variation	dB		0.60	0.80
Group Delay Variation	nsec		8	15
Absolute Delay	usec		0.20	0.21
Ultimate Rejection	dB	43	45	
Substrate Material	-		128LiNbO3	
Ambient Temperature	°C	-40	25	80

### Package TO-39



TO-39 IN: 1  
OUT: 2  
GNP: 3