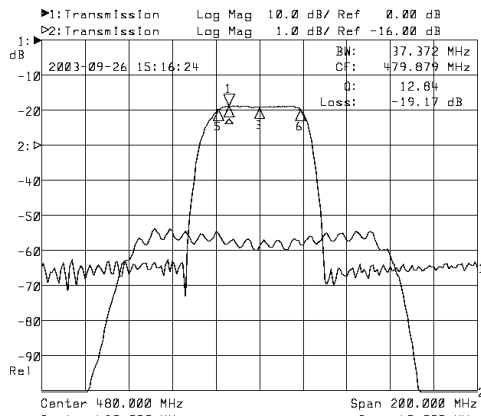


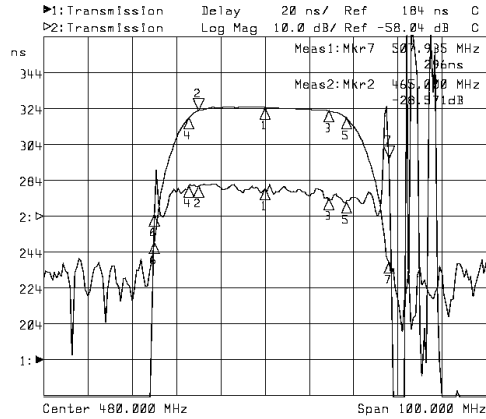
# 480MHz Standard Filter

## Part Number 480390

### Typical Performance



Horizontal: 20MHz/Div&10MHz/Div  
Vertical: 10dB/Div&1dB/Div

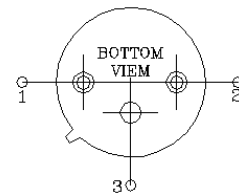
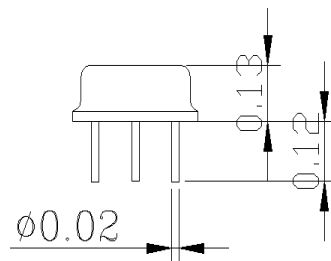
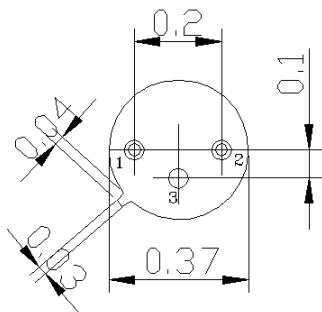


Horizontal: 10MHz/Div  
Vertical: 20ns/Div & 10dB/Div

### Specifications

Parameter	Unit	Minimum	Typical	Maximum
Center Frequency	MHz	479.50	480.00	480.50
Insertion Loss at $F_0$	dB		19.50	20.50
1 dB Bandwidth	MHz	36.00	36.50	
3 dB Bandwidth	MHz	39.00	39.50	
40dB Bandwidth	MHz		64.00	64.80
Passband Variation	dB		1.00	1.20
Group Delay Variation	nsec		8	15
Absolute Delay	usec		0.20	0.24
Ultimate Rejection	dB	43	45	
Substrate Material	-		128LiNbO3	
Ambient Temperature	°C	-40	25	80

### Package T0-39



T0-39 IN: 1  
OUT: 2  
GNP: 3